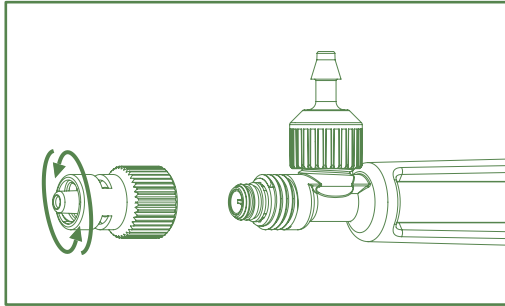


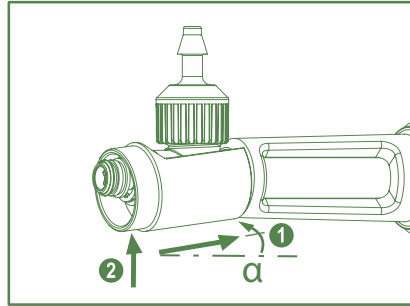
SOCOREX® SELF-REFILLING SYRINGE *ULTRA* 1810

FishGuide™ – Instructions

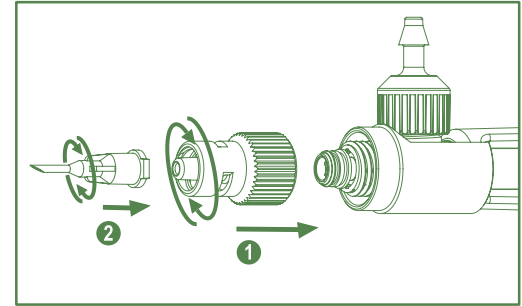
Assembling



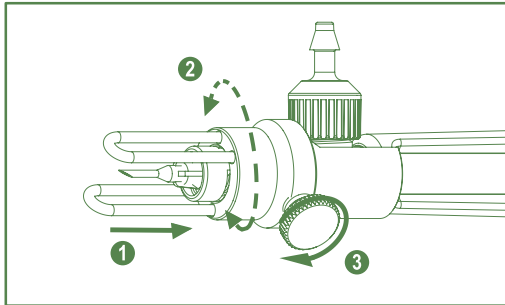
Unscrew Luer Lock nozzle.



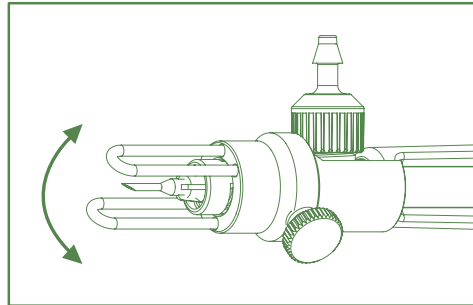
Insert black jacket at a small angle ① and push until abutment ②.



Screw Luer Lock nozzle, attach needle.



Insert FishGuide™ ①, adjust position ②, softly tighten thumb screw ③.



Adjust angle as necessary.

Ordering information

Description	Pack	Cat. No.
FishGuide™ 15 mm	1/pk	1.1810.015
FishGuide™ 25 mm	1/pk	1.1810.025
FishGuide™ 45 mm	1/pk	1.1810.045



Improper FishGuide™ positioning or overtightening screw may damage nozzle and impair needle fitting.



Reduce risk of injuries by removing FishGuide™ when changing needle. Black attachment jacket is not autoclavable.