

10mL Serological Pipettes

Item# 1760/1770/1775



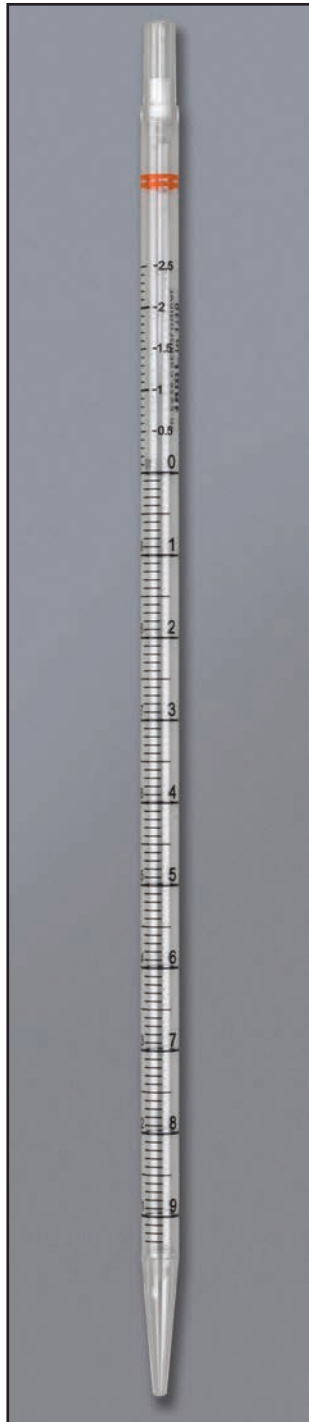
1760 - Sterile, individually wrapped



1770 - Sterile, bulk pack
1775 - Non-sterile, bulk pack

Packaging:

- Available in single peel packs or 25-piece bags.
- Peel packs are made from polyethylene and medical paper and peel apart for easy pipette removal.



Description

Globe Scientific serological pipettes are manufactured under strict ISO 9001:2008 standards in a class 100,000 cleanroom. They are non-pyrogenic, non-cytotoxic, RNase-free and DNase-free. The pipettes are equipped with an aerosol barrier plug that prevents both liquid and aerosols from contaminating the pipettor. Printed black graduations prevent ambiguity and guarantee precise reading with less than 2% inaccuracy at full volume. Calibration is certified for accuracy.

Features

- Manufactured under strict ISO 9001:2008 standards
- Produced in a class 100,000 cleanroom
- Non-pyrogenic and non-cytotoxic
- RNase-free and DNase-free
- Sterile pipettes are sterilized by gamma irradiation (SAL 10⁻⁶)
- Aerosol barrier filter plug
- Reverse graduations
- Negative graduations
- Calibrated to deliver (TD) — calibration is certified for accuracy
- Color coded
- Fits all major brands of pipettors
- Individually wrapped pipettes are packaged in convenient color-coded dispenser boxes

Products

Item#	Description	Packaging
1760	10mL, sterile serological pipette individually wrapped	1 per pack, 200 per case
1770	10mL, sterile serological pipette bulk packed	25 per bag, 250 per case
1775	10mL, non-sterile serological pipette bulk packed	25 per bag, 250 per case

10mL Serological Pipettes

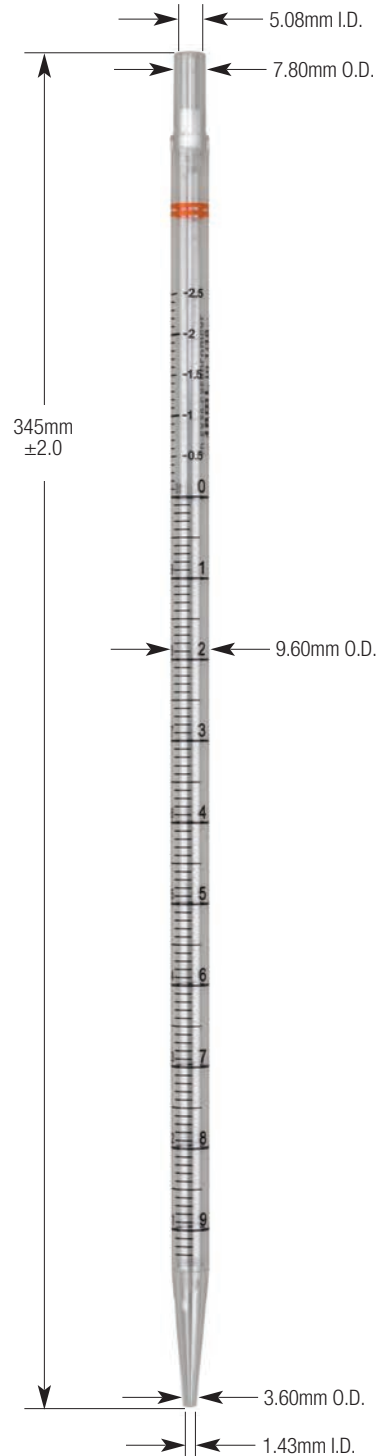
Item# 1760/1770/1775

Technical Specifications

- Material: Polystyrene (PS) USP Class 6 approved
- Plug: Hydrophilic PET
- Inaccuracy: <2% at full volume
- Sterility: Sterilized by gamma irradiation (SAL 10⁻⁶)
- Length: 345mm (13.58")
- Temperature Range: 0°C to +40°C
- Shelf Life: 5 years after month of production
- Manufactured under ISO 9001:2008 quality standards
- Calibrated to deliver (TD)
- Pyrogen-free, non-cytotoxic
- RNase-free and DNase-free

Data Table

Item	Volume (mL)	Graduation Increments (mL)	Negative Graduation Increments (mL)	Negative Graduations To	Descending Graduations	Color Code	Packaging
1760	10mL	0.1	0.1	-2.5	Yes	Orange	Individual Paper/Plastic
1770	10mL	0.1	0.1	-2.5	Yes	Orange	Bulk Plastic Bags
1775	10mL	0.1	0.1	-2.5	Yes	Orange	Bulk Plastic Bags



229, rue Robinson, Saint-Eustache, QC J7R 5V7
T. 888 965-1871 F. 450 965-2231

innovationdiagnostics.com