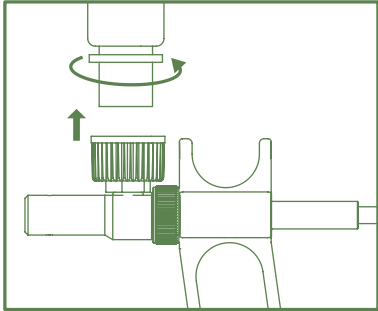


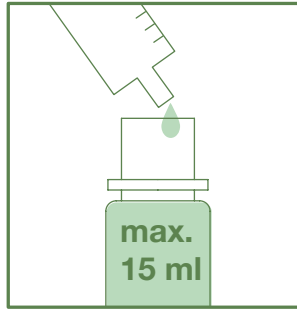
# SOCOREX® SELF-REFILLING SYRINGE *FULLPOX*™ 185

## Quick Guide

### Preparing and filling the bottle

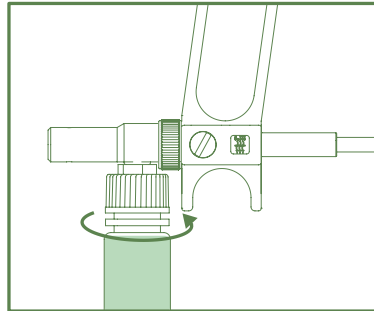


Unscrew bottle.



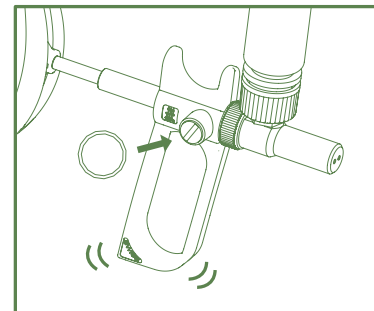
Transfer vaccine into clean bottle. Do not overfill.

### Attaching bottle



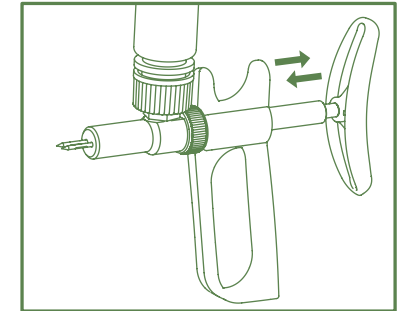
Flip syringe upside down. Screw bottle on cap.

### Adjusting grip position



Loosen screw with coin. Adjust grip to adequate position. Lock screw.

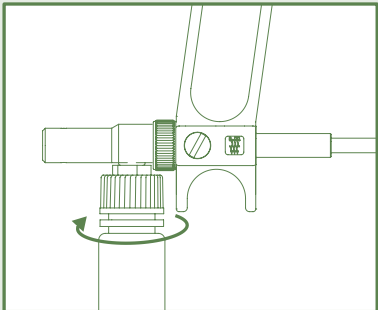
### Priming and activation



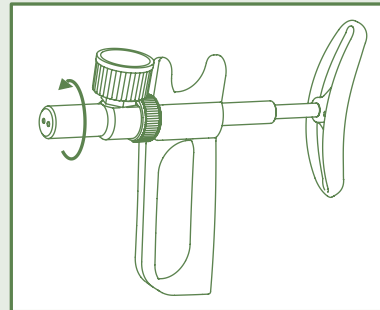
Activate handle a couple of times until liquid film is visible in needles.

⚠ Sharp needles, beware of injuries.

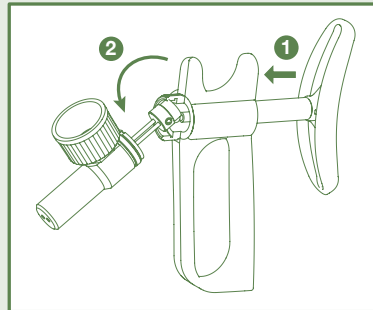
### End of work and maintenance (refer to syringe operating instructions online for more details)



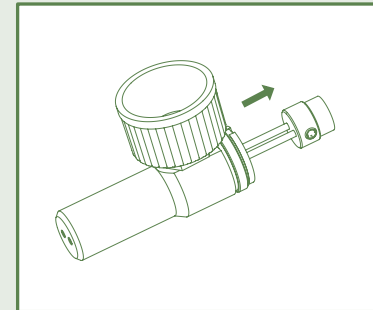
Flip syringe upside down, unscrew bottle. Empty bottle / collect residual content.



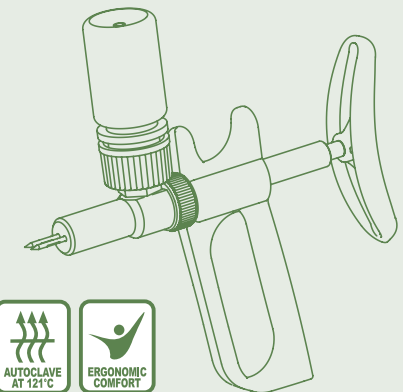
Unscrew barrel when syringe is in relaxed position. This will keep needles inside.



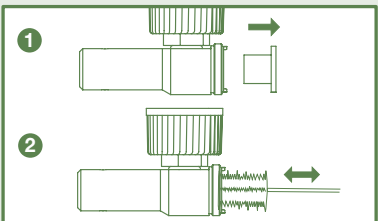
1 Activate handle and 2 slightly push barrel down to separate needles from handle.



Slide out needle assembly from barrel.

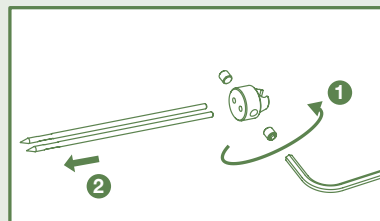


### Cleaning the barrel



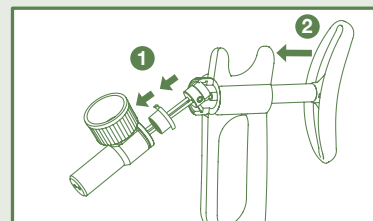
1 Remove barrel cap. 2 Clean inside with small brush and detergent solution. Rinse with water and dry.

### Changing needles

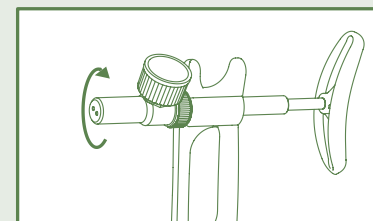


1 Use allen key No 1.5 to remove both screws. 2 Slide out worn-out needles and insert replacement one(s) (change as required). Tightly fix screws.

### Reassembling syringe



1 Insert barrel cap, then introduce needles in barrel. 2 Press handle and connect needles.



Screw barrel onto syringe handle.

### Ordering information

Description	Packaging	Cat. No.
185 <i>fullpox</i> ™ syringe	1 / pk	185.1.0010
Spare inoculation needle	2 / pk	185.902
Spare inoculation needle	10 / pk	185.910
Bottle with cap	1 / pk	185.528
Barrel cap	1 / pk	185.721
Screw for needle	1 / pk	185.801
Holder for 1 syringe	1 / pk	320.171