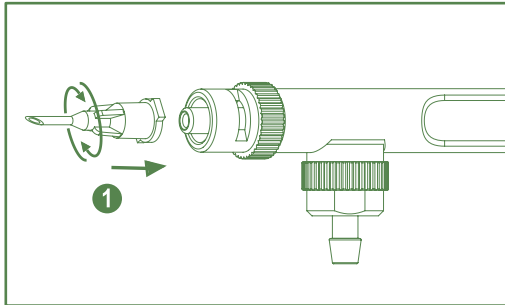


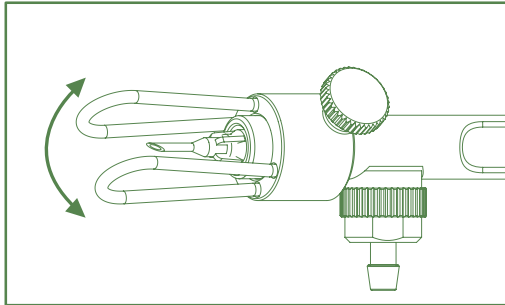
SOCOREX® SELF-REFILLING SYRINGE CLASSIC 167/187

FishGuide™ – Instructions

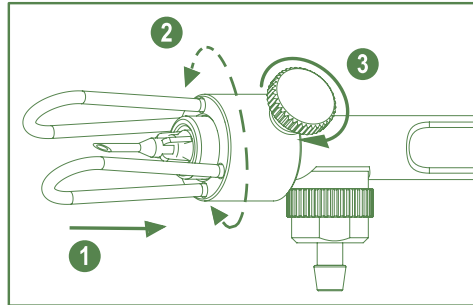
Assembling



Attach needle.



Adjust angle as necessary.



Insert FishGuide™ until abutment ①, adjust position ②, softly tighten thumb screw ③.

Ordering information

Description	Pack	Cat. No.
FishGuide™ 15 mm	1/pk	1.187.015
FishGuide™ 25 mm	1/pk	1.187.025
FishGuide™ 45 mm	1/pk	1.187.045



Improper FishGuide™ positioning or overtightening screw may damage nozzle and impair needle fitting.



Reduce risk of injuries by removing FishGuide™ when changing needle.



1.187FGD.E - A0420